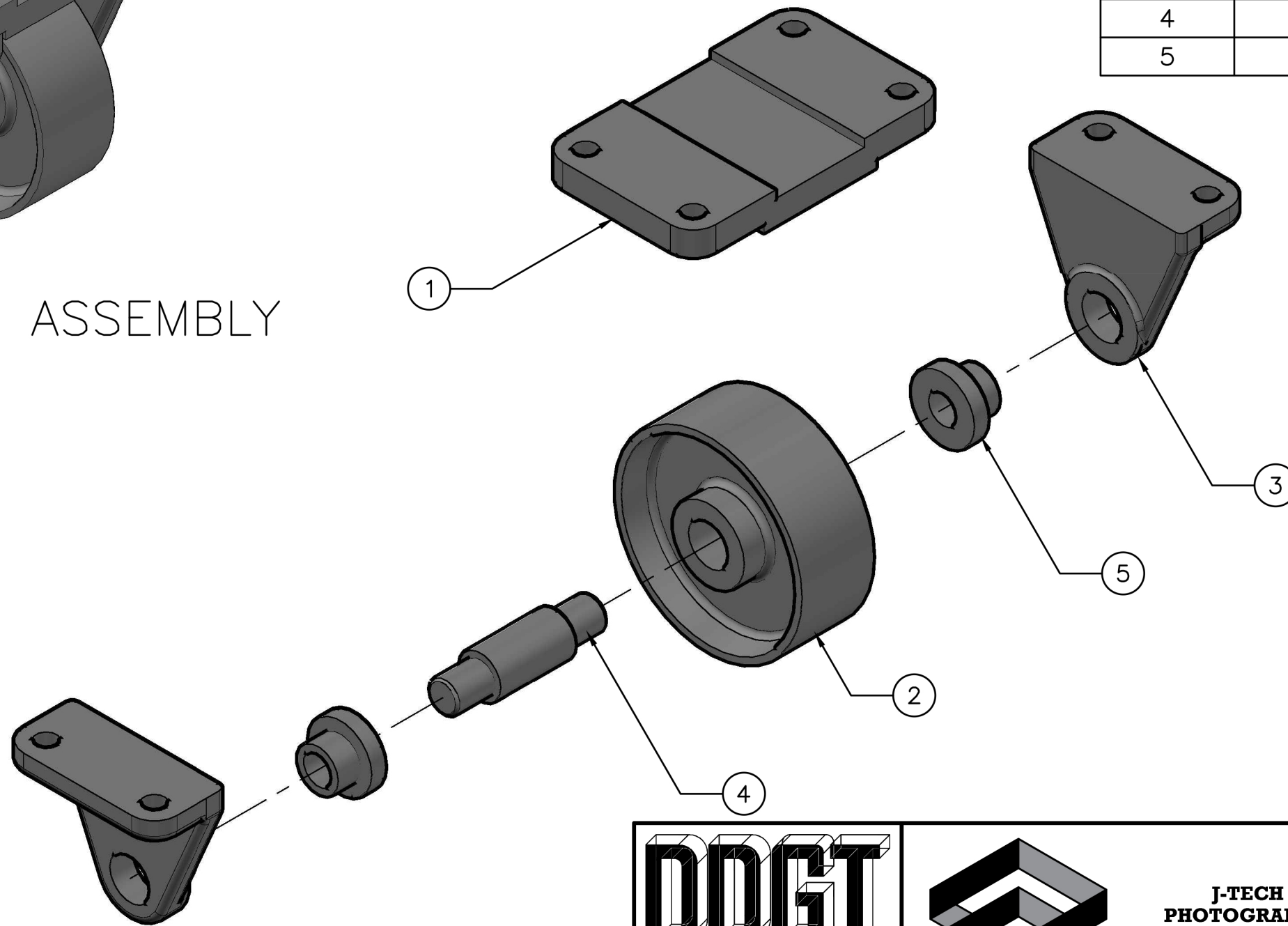


CASTER ASSEMBLY



CASTER EXPLODED ASSEMBLY

METRIC

PARTS LIST

ITEM	QTY	PART NAME	MATERIAL
1	1	TOP PLATE	MALLEABLE IRON
2	1	WHEEL	MALLEABLE IRON
3	2	AXLE SUPPORT	MALLEABLE IRON
4	1	AXLE	SAE 1020
5	2	BUSHING	BRONZE

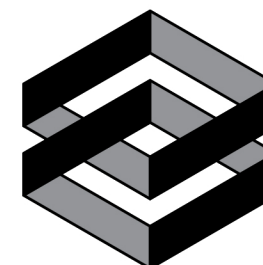
LEGEND:

- ° DEGREES
- ∅ DIAMETER
- R RADIUS
- ⌊ SPOTFACE



DIGITAL DESIGN
GRAPHIC
TECHNOLOGY

WWW.DDGT.NET



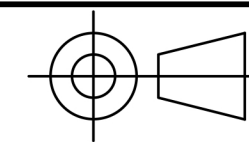
J-TECH

www.ddgt.net/StudentPages/jebuen

J-TECH
PHOTOGRAPHY
&
2D-3D DESIGN

Junest Ebuena
Vallejo, CA

lex101je92@gmail.com



TOLERANCES UNLESS SPECIFIED;
MILLIMETERS:
WHOLE NUMBER = ±0.5
X = ±0.25
XX = ±0.12

ANGLES ±1 DEGREE

SURFACES 32/

COURSE: DDGT120

AUTOCAD DRAWING NAME:

CASTER

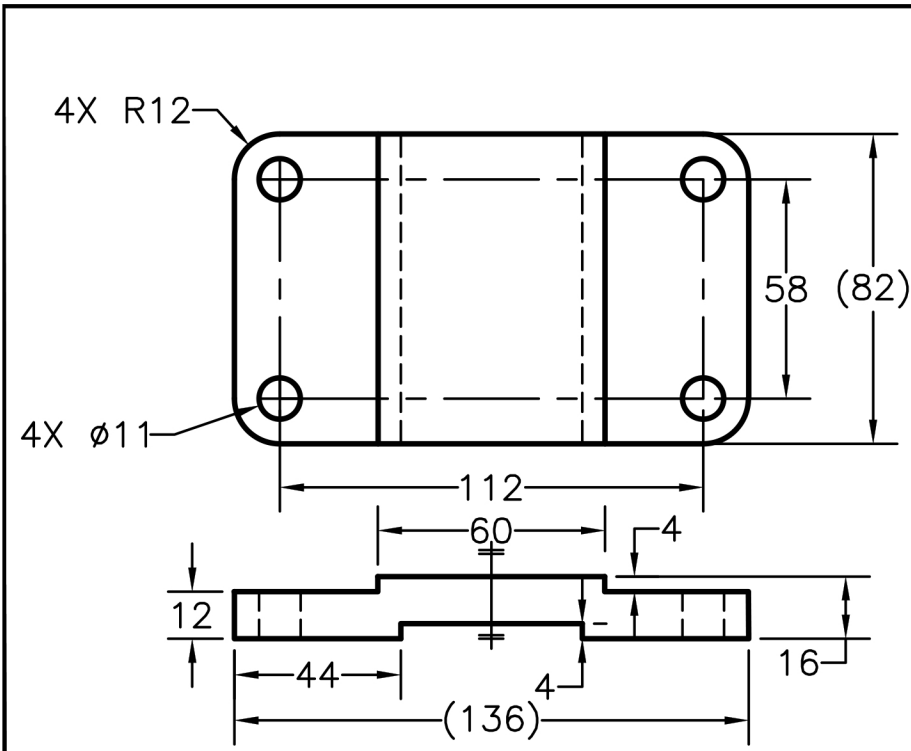
FIG# 9-51

DRAFTER: J.EBUENA

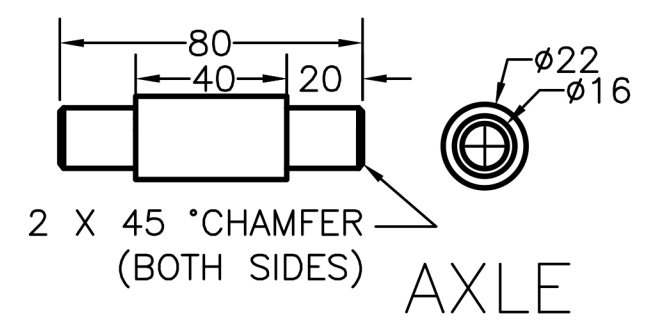
DATE: 10-02-19

SCALE: 1:2

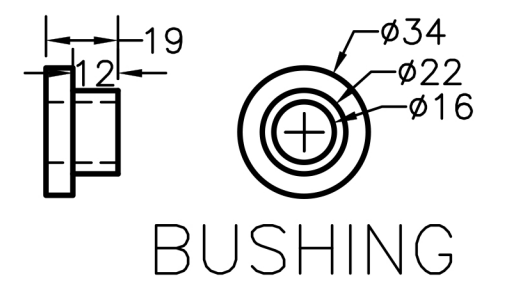
PAGE# 1 OF 2



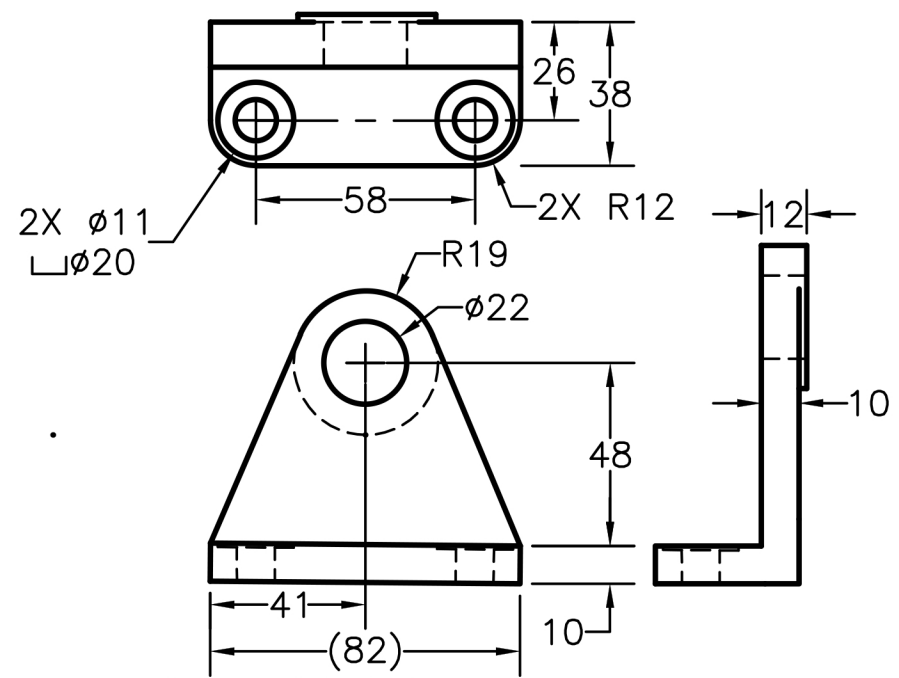
TOP PLATE



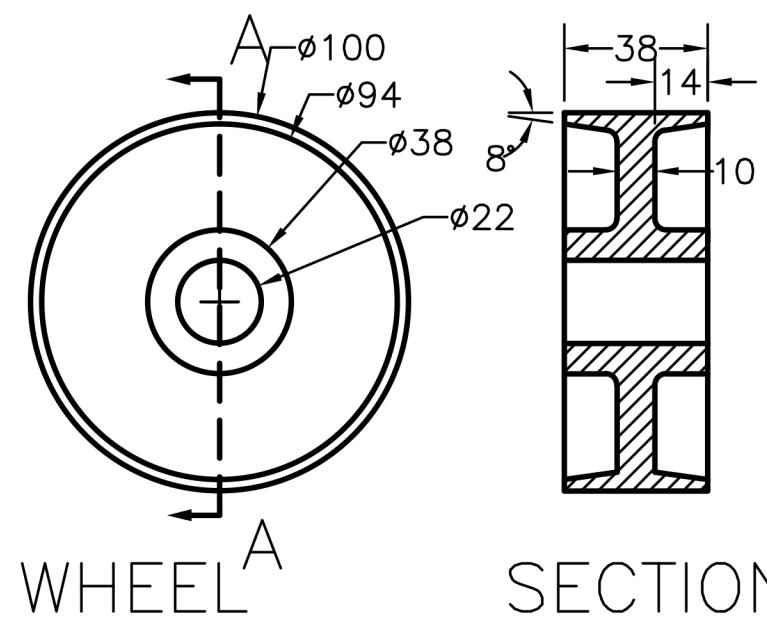
AXLE



BUSHING



AXLE SUPPORT



WHEEL

SECTION A-A

PARTS LIST

ITEM	QTY	PART NAME
1	1	TOP PLATE
2	1	WHEEL
3	2	AXLE SUPPORT
4	1	AXLE
5	2	BUSHING

FIT	BETWEEN PARTS
H8/F7	4 AND 5
H7/p6	3 AND 5
H8/f7	2 AND 4

METRIC

GENERAL NOTES:
ROUNDS AND FILLETS R3

LEGEND:
• DEGREES
Ø DIAMETER
R RADIUS
□ SPOTFACE

DDGT
DIGITAL DESIGN
GRAPHIC
TECHNOLOGY
WWW.DDGT.NET

J-TECH
www.ddgt.net/StudentPages/jebuen

**J-TECH
PHOTOGRAPHY
&
2D-3D DESIGN**

Junest Ebuén
Vallejo, CA
lex101je92@gmail.com

TOLERANCES UNLESS SPECIFIED;
MILLIMETERS:
WHOLE NUMBER = ±0.5
X = ±0.25
XX = ±0.12
ANGLES ±1 DEGREE
SURFACES 32/√

COURSE: DDGT120
AUTOCAD DRAWING NAME:
CASTER
FIG# 9-51
DRAFTER: J.EBUEN
DATE: 10/2/19
SCALE: 1:2
PAGE# 2 OF 2